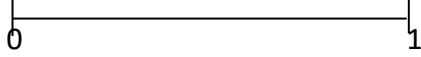
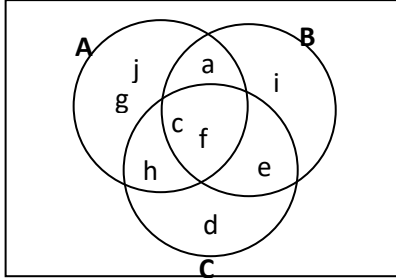
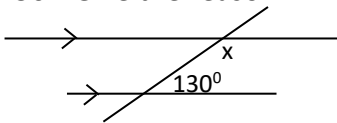


Maths Key Skills

Name: Date:

Stage 7: Skill Check 10

Class/Group:

A: Number & Algebra		B: Proportion, Geometry & Measure		C: Statistics & Probability																
1. Insert one of these symbols in the box: = < > ≤ ≥	7:1 0.7 <input type="text"/> $\frac{7}{10}$	11. Reduce to its lowest form: 1.2km : 400m	7:15	21. Indicate the position of the probability of choosing a BOY from a class of 8 girls and 12 boys.	7:27															
2. Which is bigger? 0.4 or 40%	7:2	12. Divide £1000 in a ratio of 2:3 Give the answer as a ratio.	7:16		7:28															
3. Give the LCM of 9 and 12.	7:3	13. Express £4 as a percentage of £5.	7:17	22. List the elements of set $A \cap B \cap C$																
4. Insert one of these symbols in the box: = < > ≤ ≥	7:4 $\sqrt[3]{27}$ <input type="text"/> 2^2	14. Enlarge the shape sf3, centre X	7:19		7:29															
5. Work out & simplify: $2\frac{1}{3} \div \frac{2}{3}$	7:6	15. Mark $\angle DEF = 40^\circ$	7:20	23. Complete the table to draw a pie chart																
6. Work out: $(10 - 4) + 2^2 \times 3$	7:7	16. Sketch the plan view	7:21	<table border="1"> <thead> <tr> <th>Type of DVD</th> <th>f</th> <th>Angle</th> </tr> </thead> <tbody> <tr> <td>Crime</td> <td>6</td> <td>72°</td> </tr> <tr> <td>Sci-fi</td> <td></td> <td>120°</td> </tr> <tr> <td>Musical</td> <td>3</td> <td></td> </tr> <tr> <td>Comedy</td> <td></td> <td></td> </tr> </tbody> </table>	Type of DVD	f	Angle	Crime	6	72°	Sci-fi		120°	Musical	3		Comedy			7:30
Type of DVD	f	Angle																		
Crime	6	72°																		
Sci-fi		120°																		
Musical	3																			
Comedy																				
7. Expand & simplify: $x(x - 1) + x(x - 4)$	7:10	17. The area of this trapezium is $60m^2$. Work out LENGTH?	7:22	24. Work out the median of the scores: 1, 3, 6, 10, 11, 12																
8. Evaluate: $2a^2 - ab$ when $a = -3, b = -1$	7:11	18. Give the number of edges, vertices and faces of a triangular pyramid.	7:23	E= V= F=	7:30															
9. Give the equation of the graph.	7:12	19. The volume of this cuboid is $84m^3$. Find its width.	7:24	25. Work out the mean score.																
10. Solve: $2(2x + 3) = 6$	7:13	20. $x = 50^\circ$. Give the reason.	7:25	<table border="1"> <thead> <tr> <th>Score</th> <th>Frequency</th> </tr> </thead> <tbody> <tr> <td>6</td> <td>5</td> </tr> <tr> <td>7</td> <td>3</td> </tr> <tr> <td>8</td> <td>2</td> </tr> </tbody> </table>	Score	Frequency	6	5	7	3	8	2	7:30							
Score	Frequency																			
6	5																			
7	3																			
8	2																			
																				
Total (A)		Total (B)		Total (C)																
Test Total (A+B+C)		R (0-9)	Y (10-19)	G (20-25)																